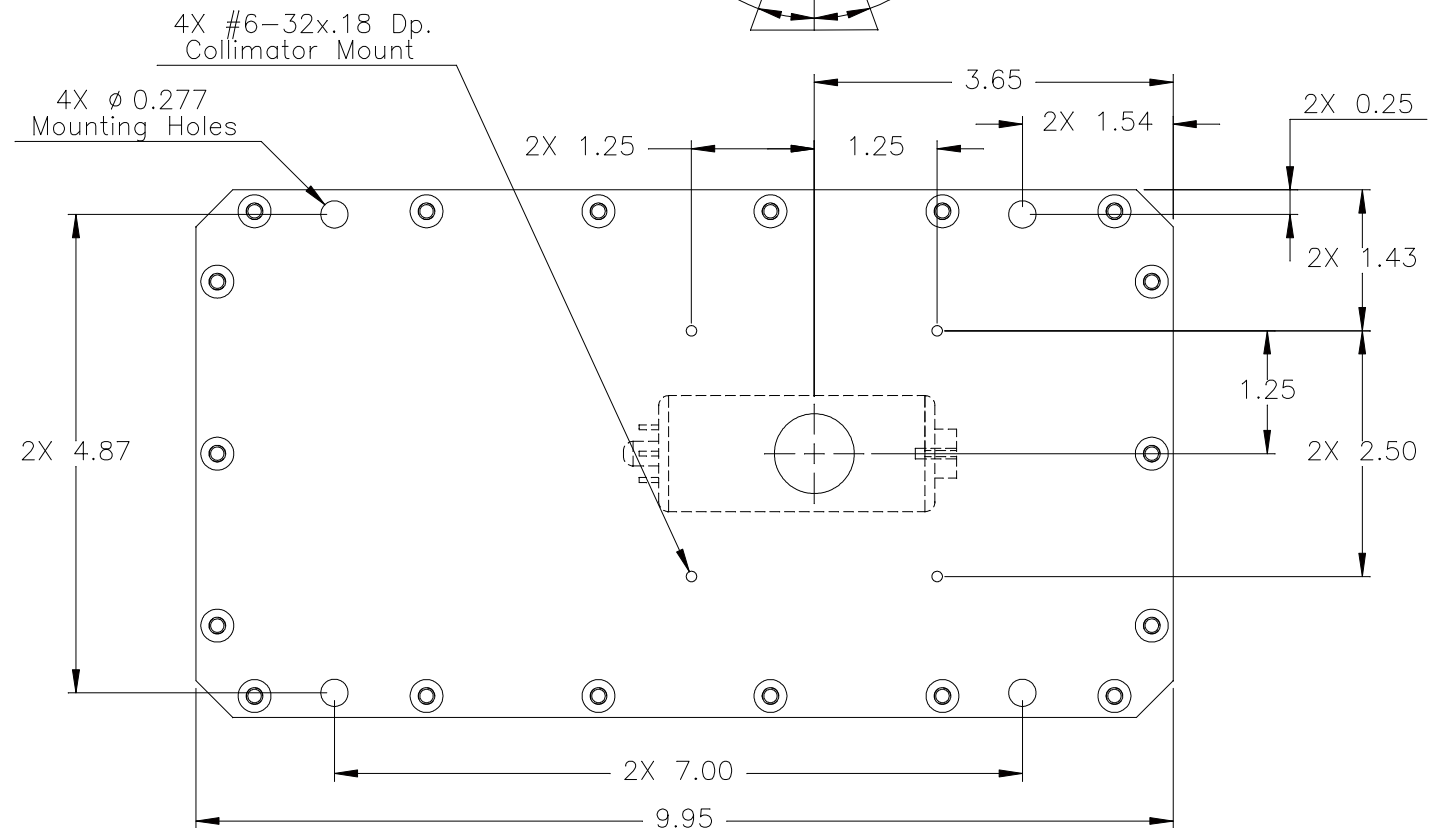
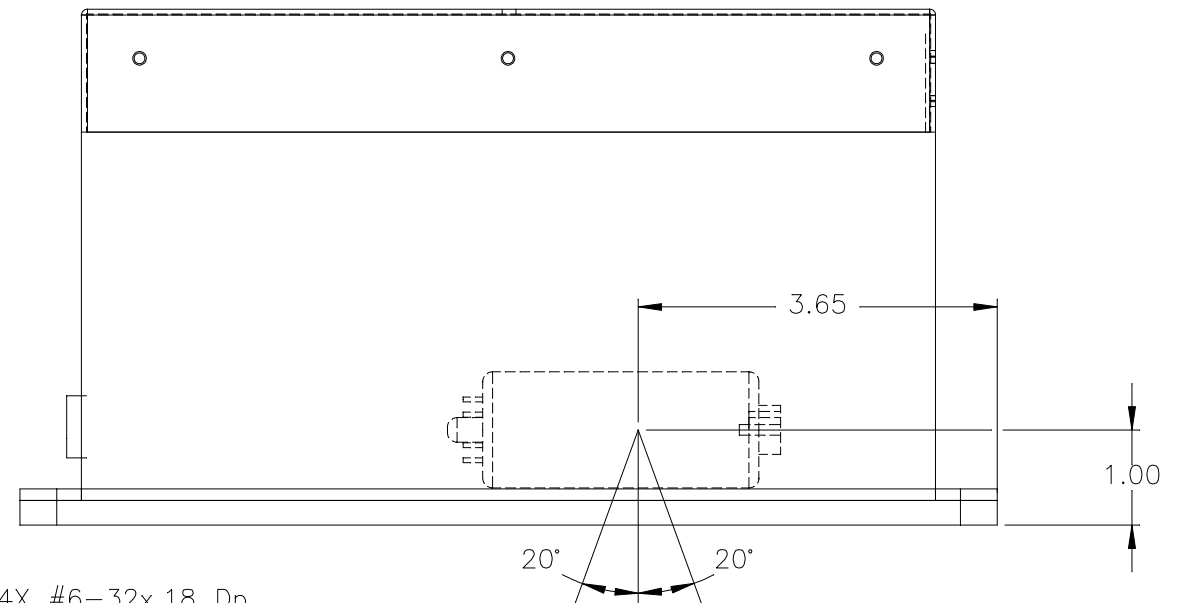


DRAWING NO.
SB-80-500

REVISIONS				
ZONE	REV.	DESCRIPTION	DATE	CHECKED
	-	NEW RELEASE	01-25-07	



DISCLAIMER:

ALL INFORMATION CONTAINED IN THIS DRAWING IS SUBJECT TO CHANGE WITHOUT NOTICE. SPECIFICATIONS, DIMENSIONS, ETC., WERE DEEMED TO BE ACCURATE AT THE DATE OF PUBLICATION. CONTACT SOURCE-RAY INC. FOR THE LATEST INFORMATION.

REMOVE ALL BURRS AND SHARP EDGES

PROPRIETARY NOTE
THIS DRAWING WITH SPECIFICATIONS CONTAINS PROPRIETARY INFORMATION AND IS THE PROPERTY OF SOURCE-RAY INC. IT SHALL NOT BE REPRODUCED OR COPIED IN ANY MANNER, EXCEPT UNDER CONTRACT OR AUTHORIZATION FROM SOURCE-RAY, INC.

UNLESS OTHERWISE SPECIFIED DIMENSIONS ARE IN INCHES TOLERANCES ARE:

FRACTIONS	DECIMALS	ANGLES
± 1/64	.XX ± .01	± 2 deg
	.XXX ± .005	

MATERIAL:

FINISH:

NEXT ASSY	USED ON

DRAWN BY: T.T.	DATE: 01-25-07
CHECKED BY:	
MECH. ENG:	
ELECT. ENG:	
RELEASED:	

Source-Ray Inc.

167 KEYLAND COURT, BOHEMIA, NEW YORK, 11716-2621

TITLE
Outline, Model SB-80-500

SIZE B	DRAWING NO. SB-80-500	REV. 1
SCALE	NO. REQD	DO NOT SCALE DRAWING
		SHEET 1 of 1