

8

7

6

5

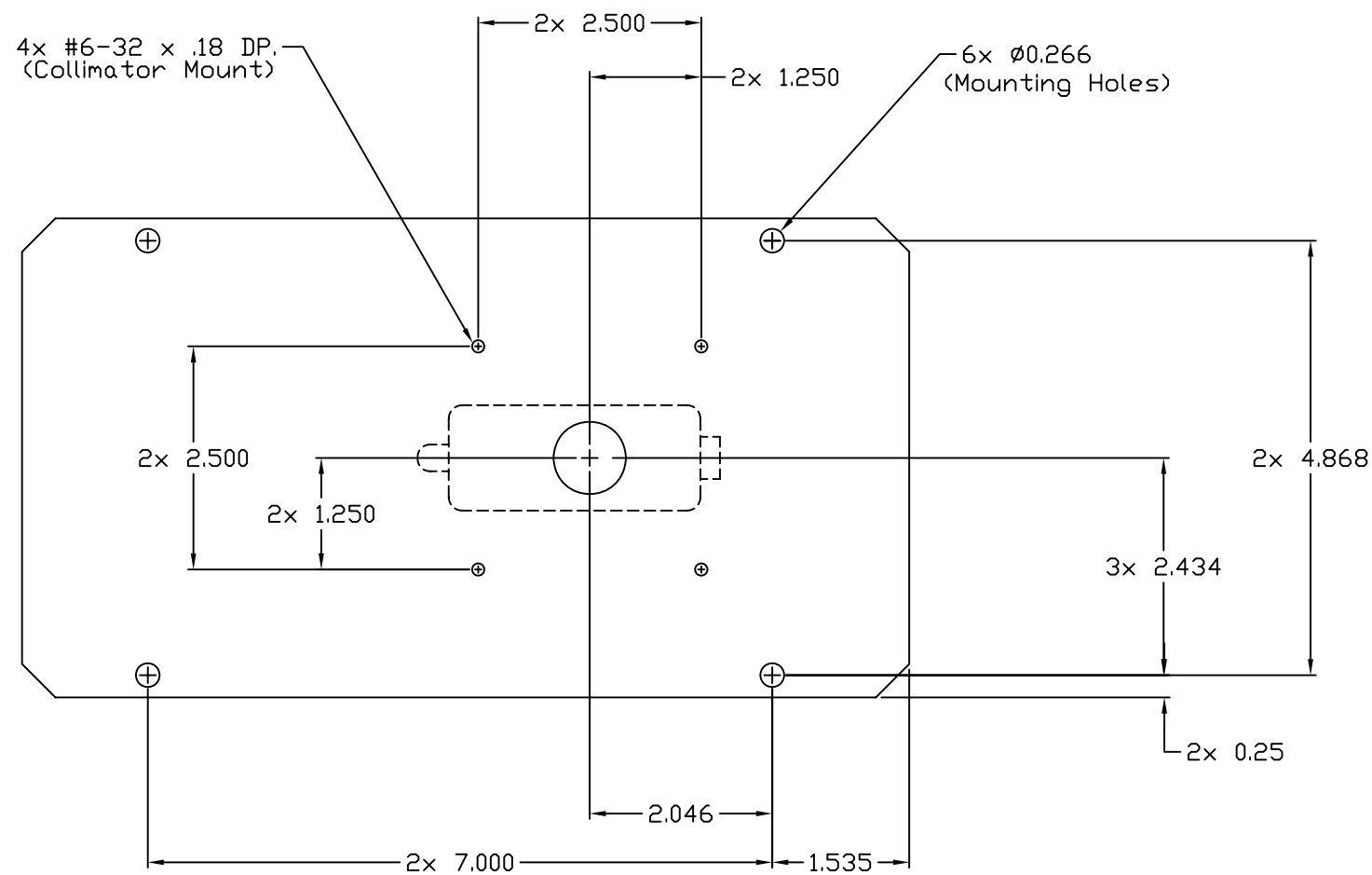
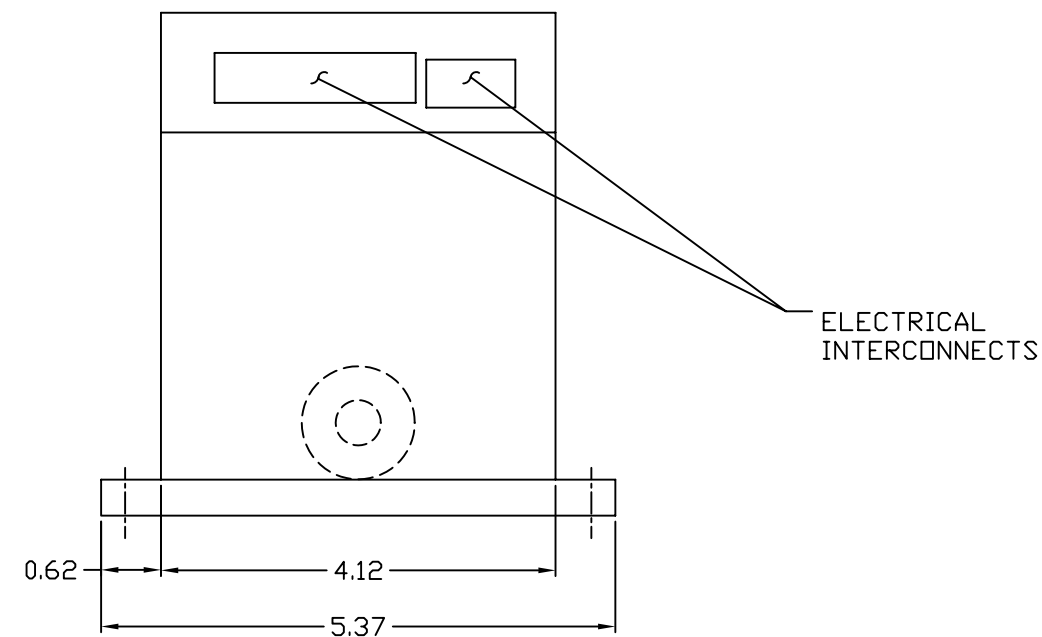
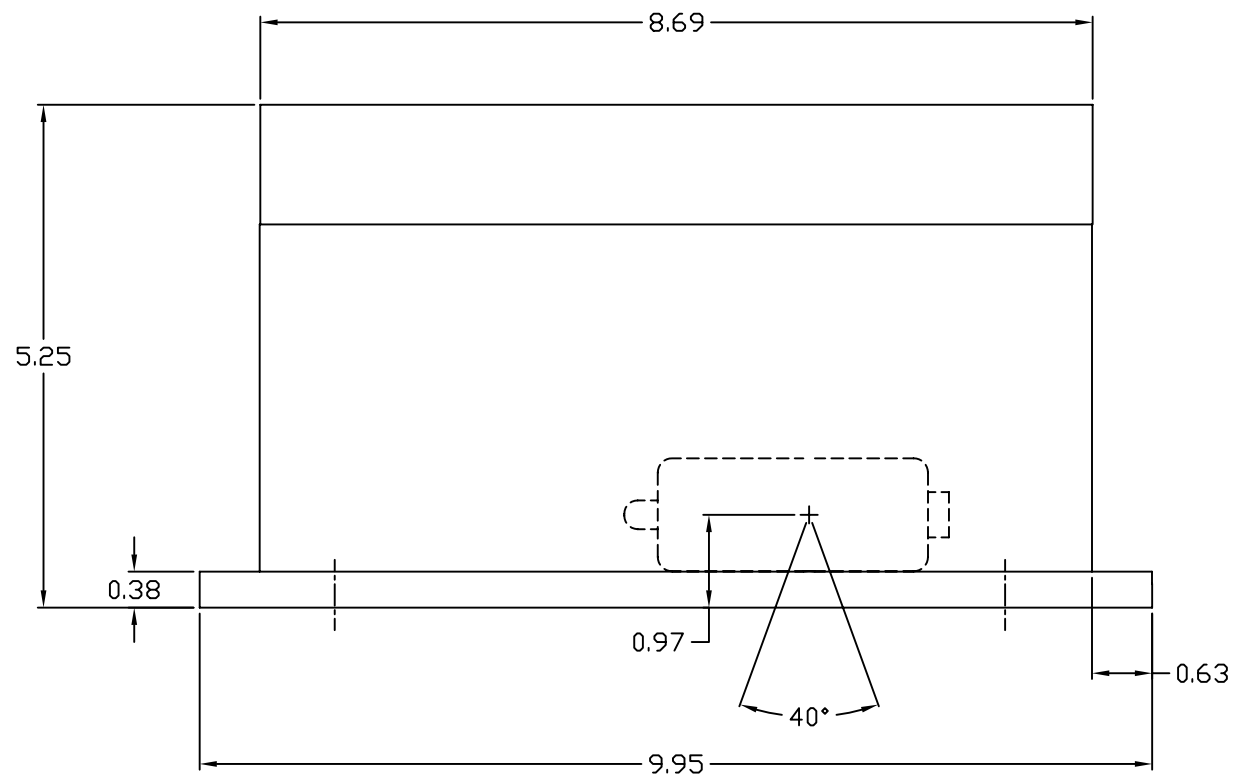
4

3

2

1

REVISIONS				
ZONE	REV.	DESCRIPTION	DATE	CHECKED
-	-	NEW RELEASE		



REMOVE ALL BURRS AND SHARP EDGES

PROPRIETARY NOTE
THIS DRAWING WITH SPECIFICATIONS CONTAINS PROPRIETARY INFORMATION AND IS THE PROPERTY OF SOURCE-RAY INC. IT SHALL NOT BE REPRODUCED OR COPIED IN ANY MANNER, EXCEPT UNDER CONTRACT OR AUTHORIZATION FROM SOURCE-RAY INC.

UNLESS OTHERWISE SPECIFIED TOLERANCES ARE: FRACTIONS DECIMALS ANGLES		MATERIAL:		SOURCE-RAY INC. 167 KEYLAND COURT BOHEMA, NEW YORK, 11716-2821	
± 1/64 JXX ± .01 ± 30'		FINISH:		TITLE: Outline System Model: SB-80-250	
DRWN BY:	DATE: 8/24/05	MECH. ENG.:	SCALE: D	DRAWING NO.:	REV.:
CHECKED BY:		ELECT. ENG.:	1:1		
RELEASED:		NO. REV'D: 1	DO NOT SCALE DRAWING	SHEET 1	OF 1

8

7

6

5

4

3

2

1