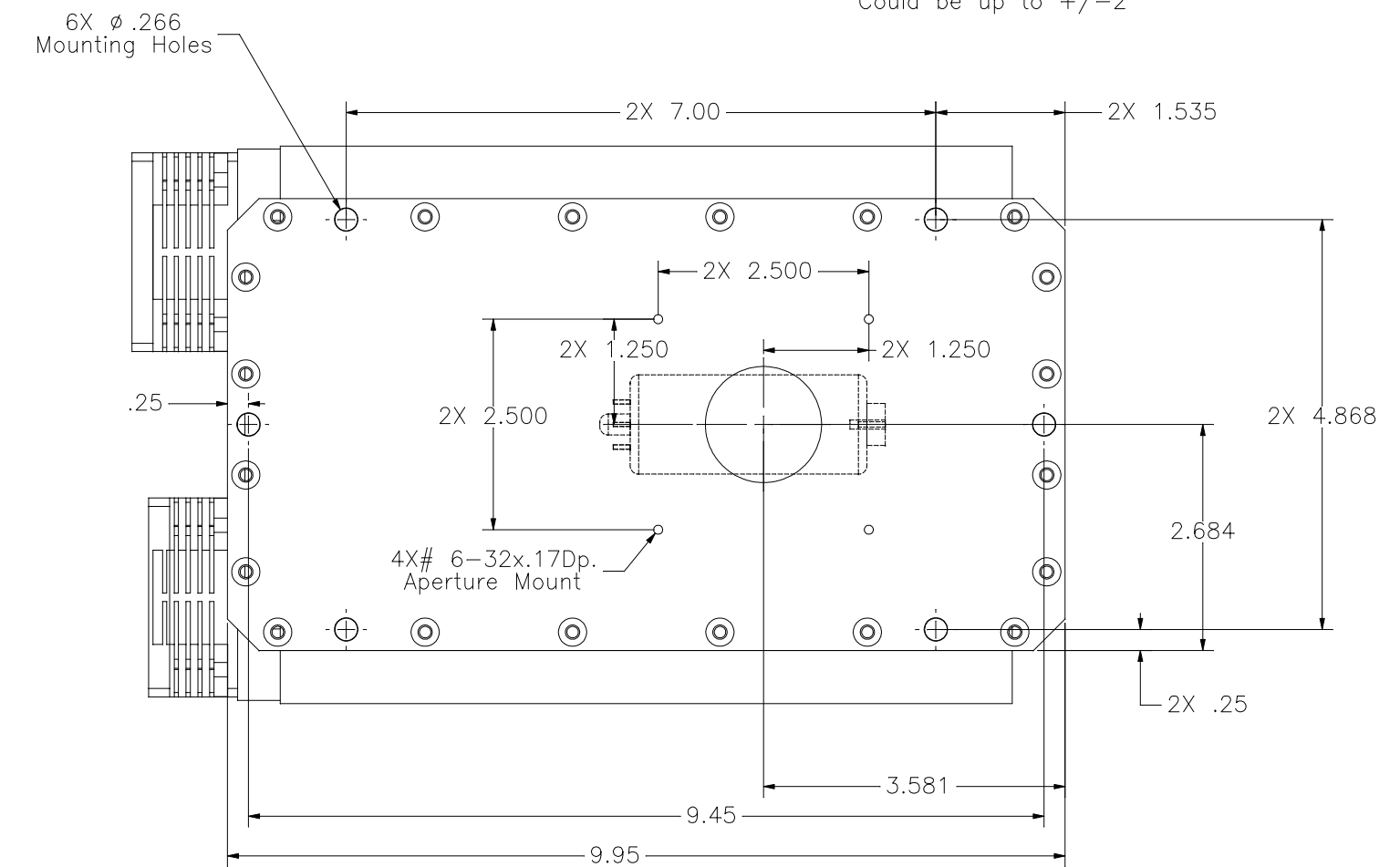
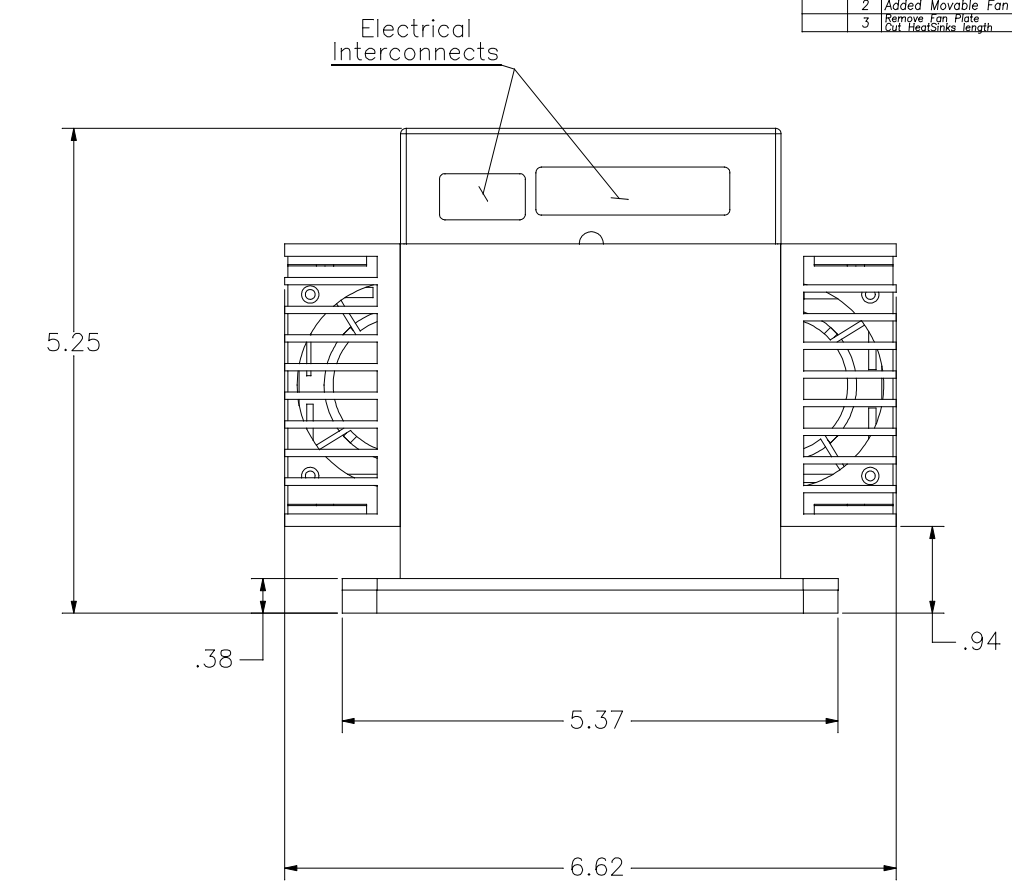
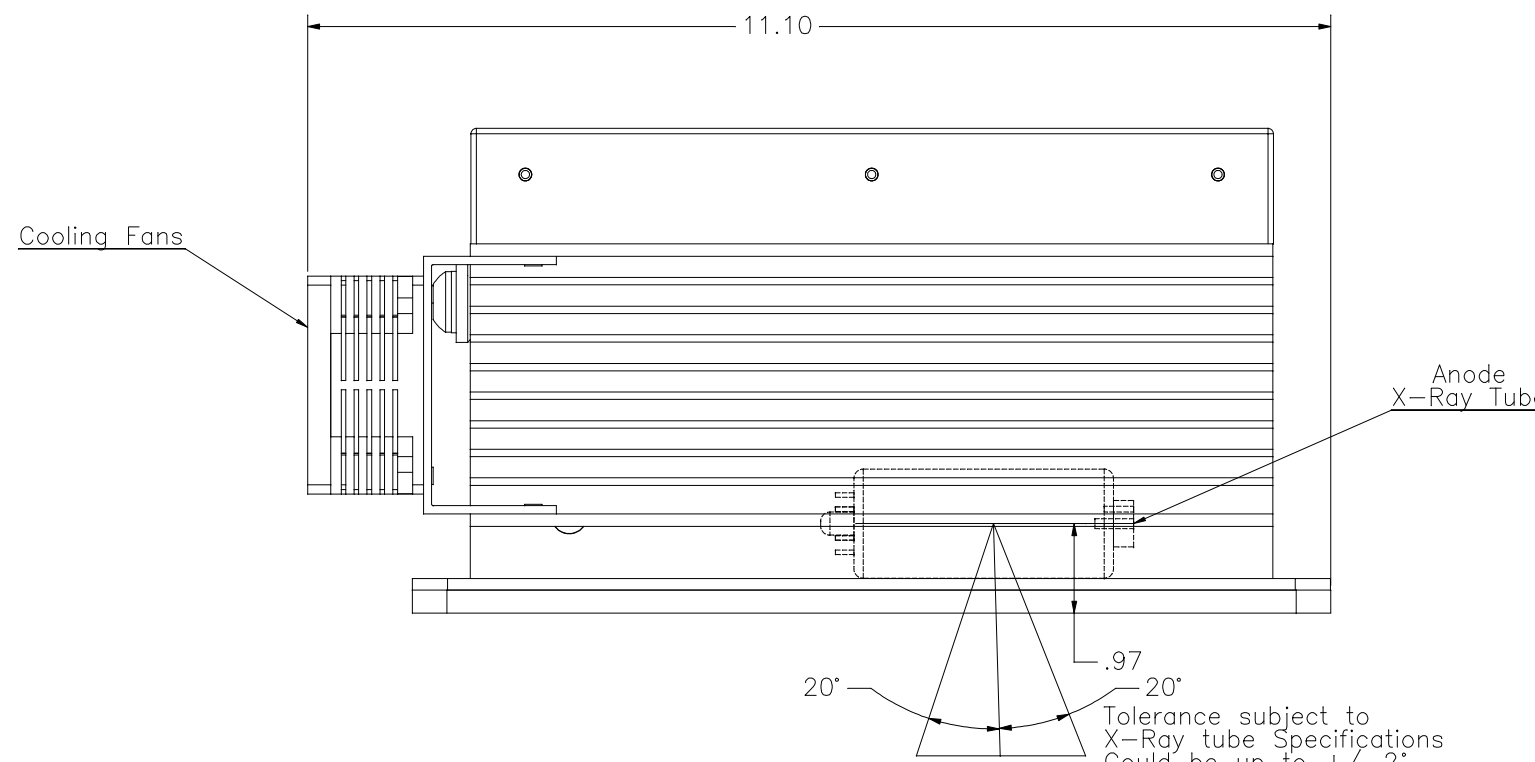


REVISIONS				
ZONE	REV.	DESCRIPTION	DATE	CHECKED
	1	NEW RELEASE		
	2	Added Movable Fan Plate	04/04/08	T.T.
	3	Remove Fan Plate Cut Footcandle Length	11/21/08	T.T.



DISCLAIMER:  
ALL INFORMATION CONTAINED IN THIS DRAWING IS SUBJECT TO CHANGE WITHOUT NOTICE. SPECIFICATIONS, DIMENSIONS, ETC., WERE DEEMED TO BE ACCURATE AT THE DATE OF PUBLICATION. CONTACT SOURCE-RAY INC. FOR THE LATEST INFORMATION.

REMOVE ALL BURRS  
AND SHARP EDGES

PROPRIETARY NOTE  
THIS DRAWING WITH SPECIFICATIONS CONTAINS  
PROPRIETARY INFORMATION AND IS THE  
PROPERTY OF SOURCE-RAY INC. IT SHALL NOT BE  
REPRODUCED OR COPIED IN ANY MANNER, EXCEPT  
UNDER CONTRACT OR AUTHORIZATION  
FROM SOURCE-RAY INC.

UNLESS OTHERWISE SPECIFIED DIMENSIONS ARE IN INCHES TOLERANCES ARE:		MATERIAL:	
FRACTIONS	DECIMALS	ANGLES	
# 1/64	XX ± .01	# 30'	
	XXX ± .005		
NEXT ASSY		USED ON	
DRAWN BY: G.R.		DATE: 5/26/05	
CHECKED BY:			
MECH. ENG:			
ELECT. ENG:			
RELEASED:			
FINISH:			
<b>Source-Ray Inc.</b> 167 KEYLAND COURT BOHEMA, NEW YORK, 11716-2621 TITLE Outline System (Model:SB-80-1K)			REV. 3
SIZE D	DRAWING NO. 900020	SHEET 1 OF 1	
SCALE NTS	NO. REV'D	DO NOT SCALE DRAWING	

020006  
On Drawing