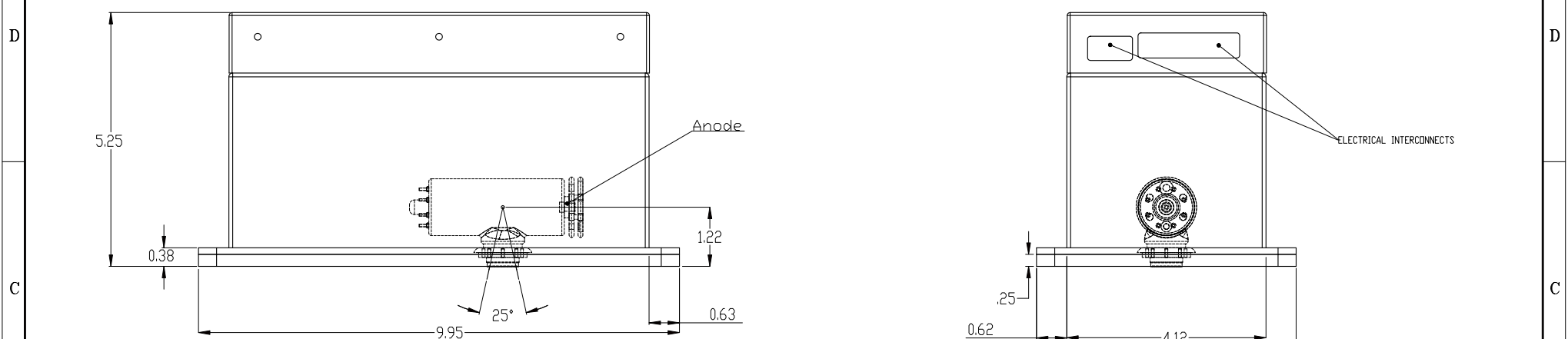
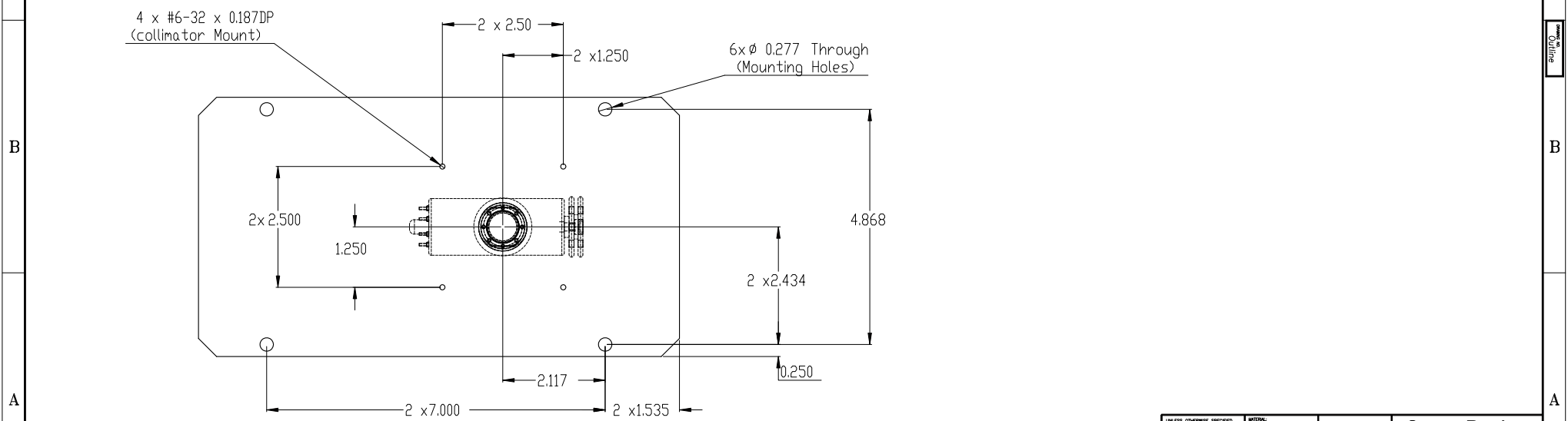


8 7 6 5 4 3 2 1

REVISIONS			
ZONE	REV.	DESCRIPTION	DATE (CHECKED)
-	-	NEW RELEASE	6-14-10



X-RAY BEAM COVERAGE MAY VARY  
DUE TO TOLERANCE ISSUES OF THE TUBE.  
TUBE TOLERANCE = 2 Deg.



ALL INFORMATION CONTAINED IN THIS DRAWING IS SUBJECT TO CHANGE WITHOUT NOTICE.  
SPECIFICATIONS, DIMENSIONS, ETC. WERE DEEMED TO BE ACCURATE  
AT THE DATE OF THE PUBLICATION. CONTACT SOURCE-RAY INC. FOR THE LATEST INFORMATION

REMOVE ALL BURRS  
AND SHARP EDGES

UNLESS OTHERWISE SPECIFIED  
DIMENSIONS ARE IN INCHES

FRACTIONS DECIMALS ANGLES  
# 1/64 XX # .01 # 30'  
XXX.005

PROPRIETARY NOTE  
THIS DRAWING AND SPECIFICATIONS CONTAINING  
PROPERTY OF SOURCE-RAY INC. IT SHALL NOT BE  
REPRODUCED OR COPIED IN ANY MANNER, EXCEPT  
BY THE EXPRESS WRITTEN CONSENT OF SOURCE-RAY INC.

MATERIAL:		167 KEYLAND COURT BOHAMA, NEW YORK, 11716-2621	
DRWYR: J.J.	DATE: 6-14-10	TITLE: Outline, Drawing	
CHECKED BY:		Model: SB-50-1KBW	
MECH. ENG:		SIZE: D	DRAWING NO: Outline
ELECT. ENG:		REV: 0	
RELEASED:		SCALE: NTS	NO. OF SHEETS: 1
NEXT ASSY:	USED ON:	SCALE: 1	SHEET: 1 OF 1

8 7 6 5 4 3 2 1