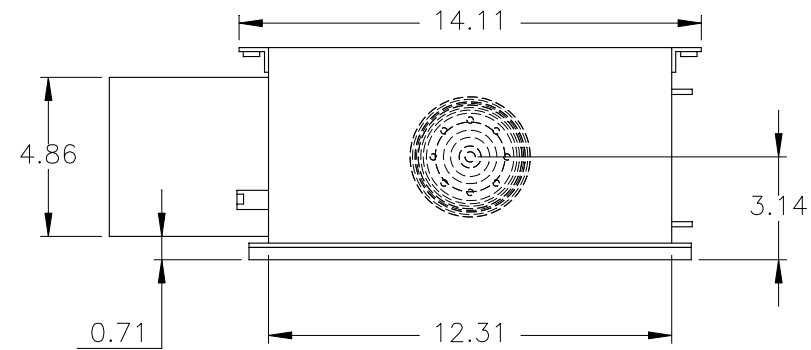
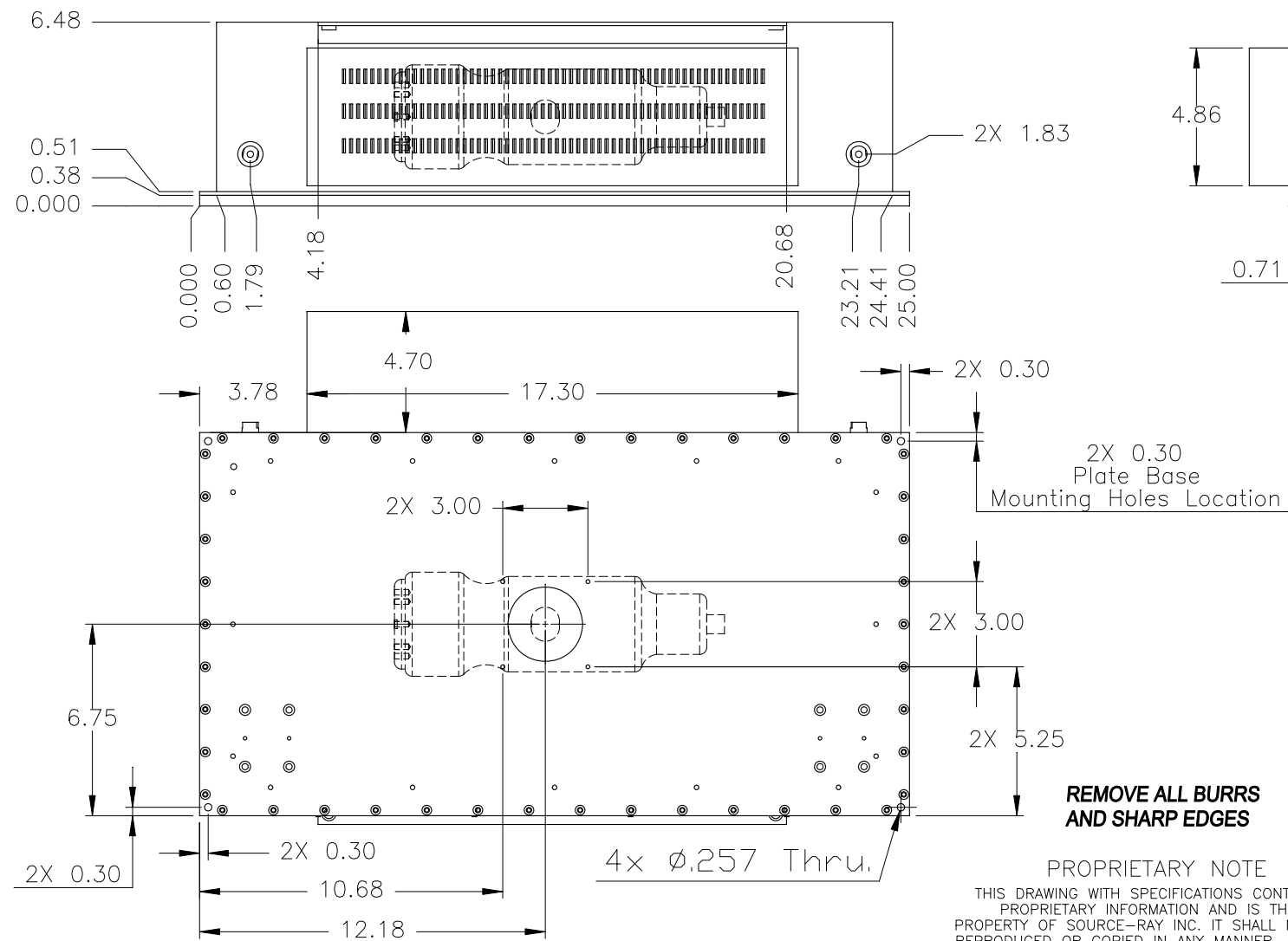
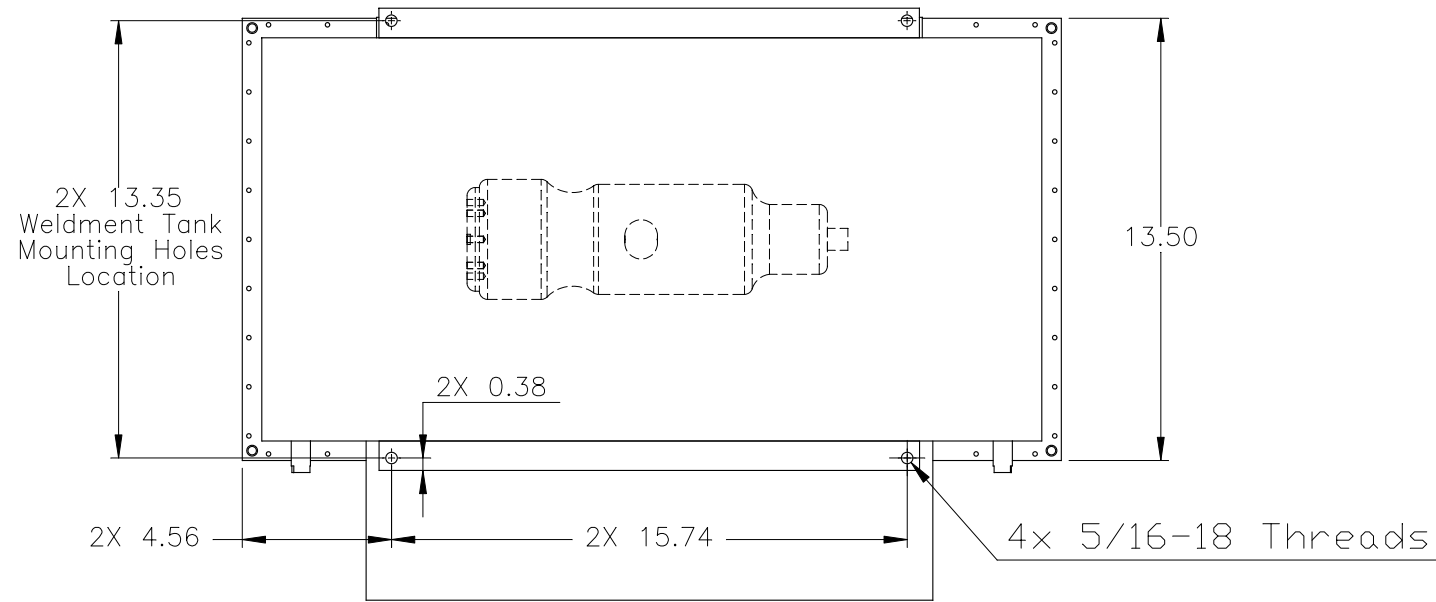


DRAWING NO.  
Outline Dwg

REVISIONS				
ZONE	REV.	DESCRIPTION	DATE	CHECKED
	-	NEW RELEASE	07-19-07	



DISCLAIMER:

ALL INFORMATION CONTAINED IN THIS DRAWING IS SUBJECT TO CHANGE WITHOUT NOTICE. SPECIFICATIONS, DIMENSIONS, ETC... WERE DEEMED TO BE ACCURATE AT THE DATE OF PUBLICATION. CONTACT SOURCE-RAY INC. FOR THE LATEST INFORMATION.

**REMOVE ALL BURRS AND SHARP EDGES**

PROPRIETARY NOTE  
THIS DRAWING WITH SPECIFICATIONS CONTAINS PROPRIETARY INFORMATION AND IS THE PROPERTY OF SOURCE-RAY INC. IT SHALL NOT BE REPRODUCED OR COPIED IN ANY MANNER, EXCEPT UNDER CONTRACT OR AUTHORIZATION FROM SOURCE-RAY, INC.

UNLESS OTHERWISE SPECIFIED DIMENSIONS ARE IN INCHES TOLERANCES ARE:		MATERIAL:		<h1>Source-Ray Inc.</h1> <p>167 KEYLAND COURT, BOHEMIA, NEW YORK, 11716-2621</p>	
FRACTIONS	DECIMALS	ANGLES	FINISH:		
$\pm 1/64$	.XX $\pm .01$ .XXX $\pm .005$	$\pm 30'$		DRAWN BY: T.T.	DATE 07-19-07
				CHECKED BY:	
				MECH. ENG:	
				ELECT. ENG:	
				RELEASED:	
NEXT ASSY	USED ON			<p>TITLE <b>Outline Drawing</b> Model :SB-250-3K-IC</p>	
		SIZE B	DRAWING NO. Outline Dwg	REV. 0	
		SCALE	NO. REQD	DO NOT SCALE DRAWING	SHEET 1 of 1