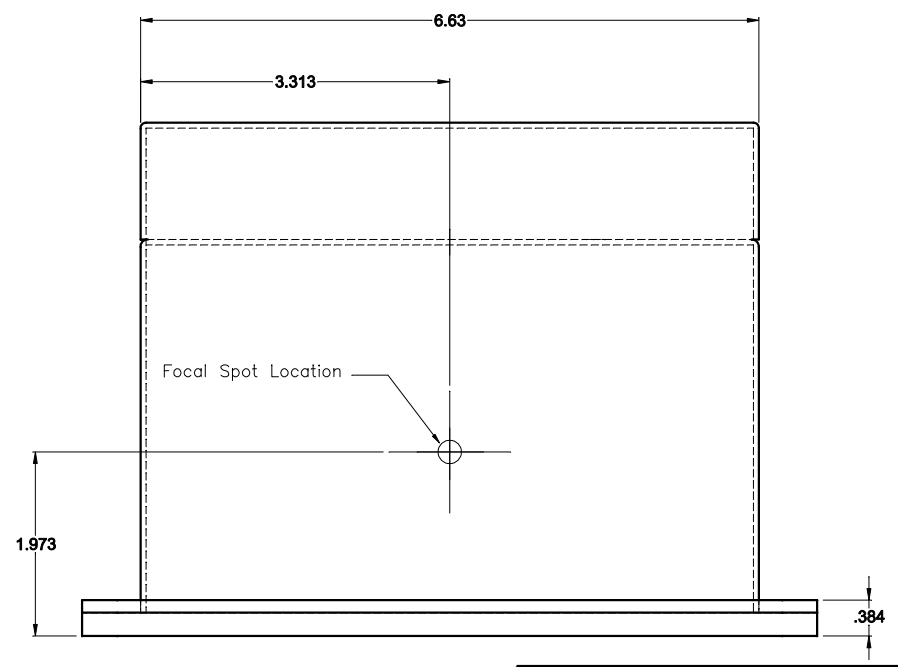
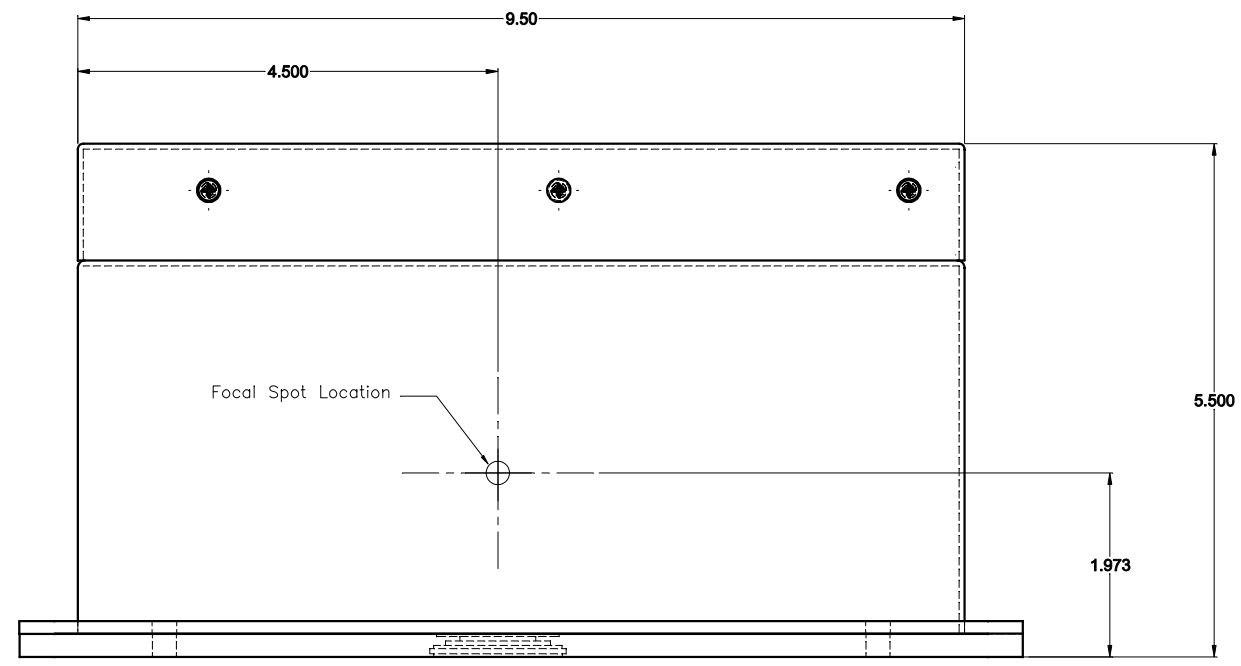
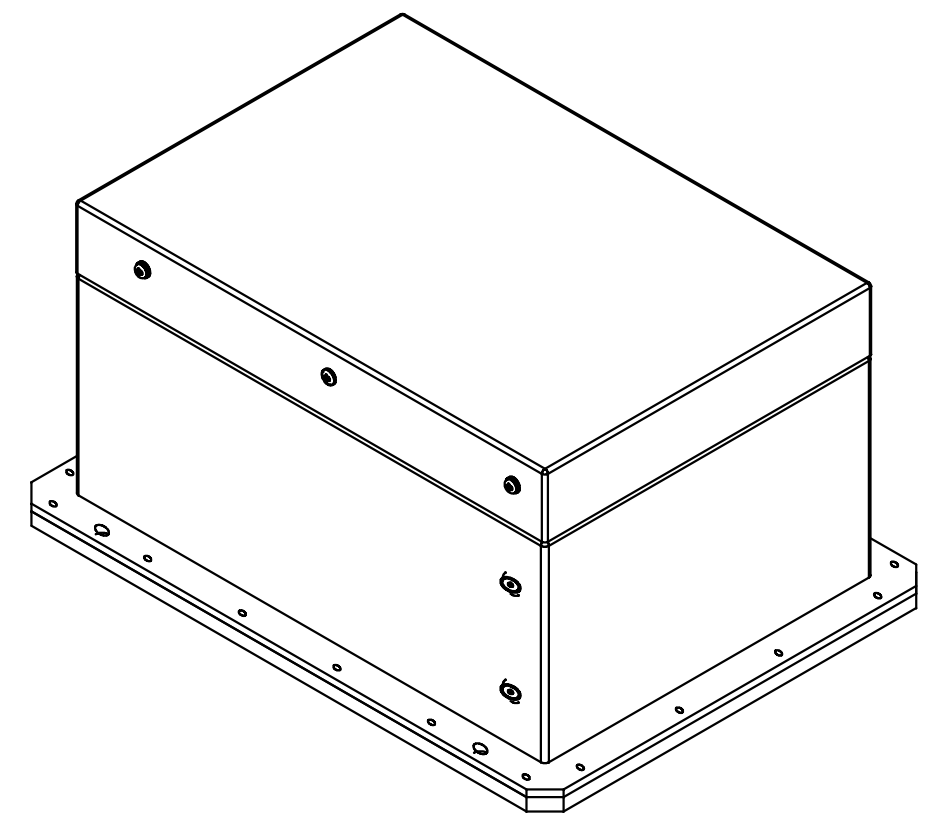
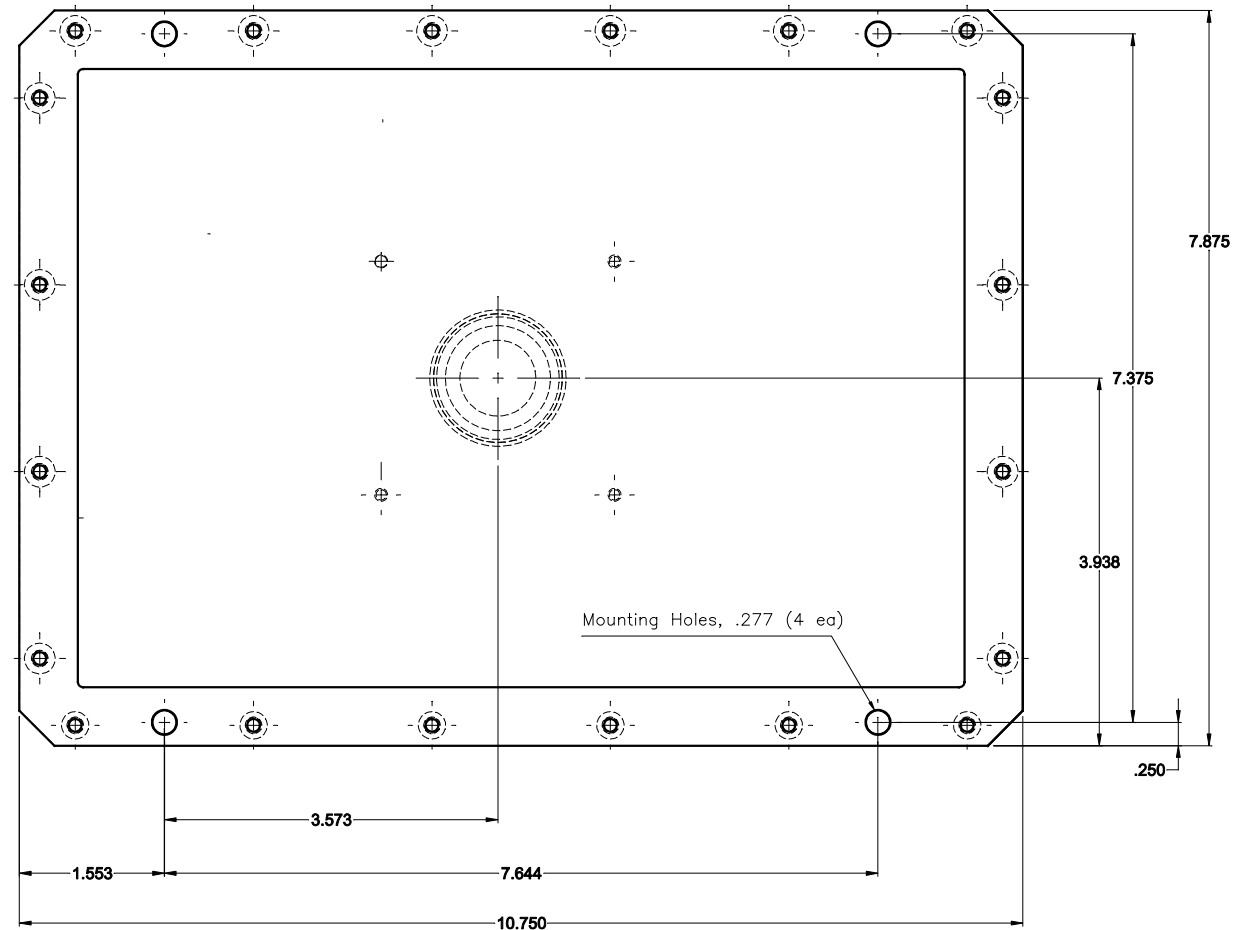


REVISIONS			
ZONE REV.	DESCRIPTION	DATE	CHECKED
-	NEW RELEASE		



DISCLAIMER:
 ALL INFORMATION CONTAINED IN THIS DRAWING IS SUBJECT TO CHANGE WITHOUT NOTICE. SPECIFICATIONS, DIMENSIONS, ETC... WERE DEEMED TO BE ACCURATE AT THE DATE OF PUBLICATION. CONTACT SOURCE-RAY INC. FOR THE LATEST INFORMATION.

REMOVE ALL BURRS AND SHARP EDGES
 PROPRIETARY NOTE
 THIS DRAWING WITH SPECIFICATIONS CONTAINS PROPRIETARY INFORMATION AND IS THE PROPERTY OF SOURCE-RAY INC. IT SHALL NOT BE REPRODUCED OR COPIED IN ANY MANNER, EXCEPT UNDER CONTRACT OR AUTHORIZATION FROM SOURCE-RAY INC.

UNLESS OTHERWISE SPECIFIED DIMENSIONS ARE IN INCHES TOLERANCES ARE: FRACTIONS DECIMALS ANGLES ± 1/64 .001 ± 30' .0005 .005	MATERIAL: FINISH: NEXT ASSY USED ON
---	---

DRAWN BY: S. B. [Signature] CHECKED BY: MECH. ENG.: ELECT. ENG.: RELEASED:	DATE: 9.06.02 TITLE: Layout, SB-100-350 SIZE: D SCALE: 1:1 NO. RECD: 1 DO NOT SCALE DRAWING SHEET: 1 of 1	Source-Ray Inc. <small>897 KEYLAND COURT BOHEMA, NEW YORK, 11716-2821</small> REV: 4
--	---	---

2020023

A